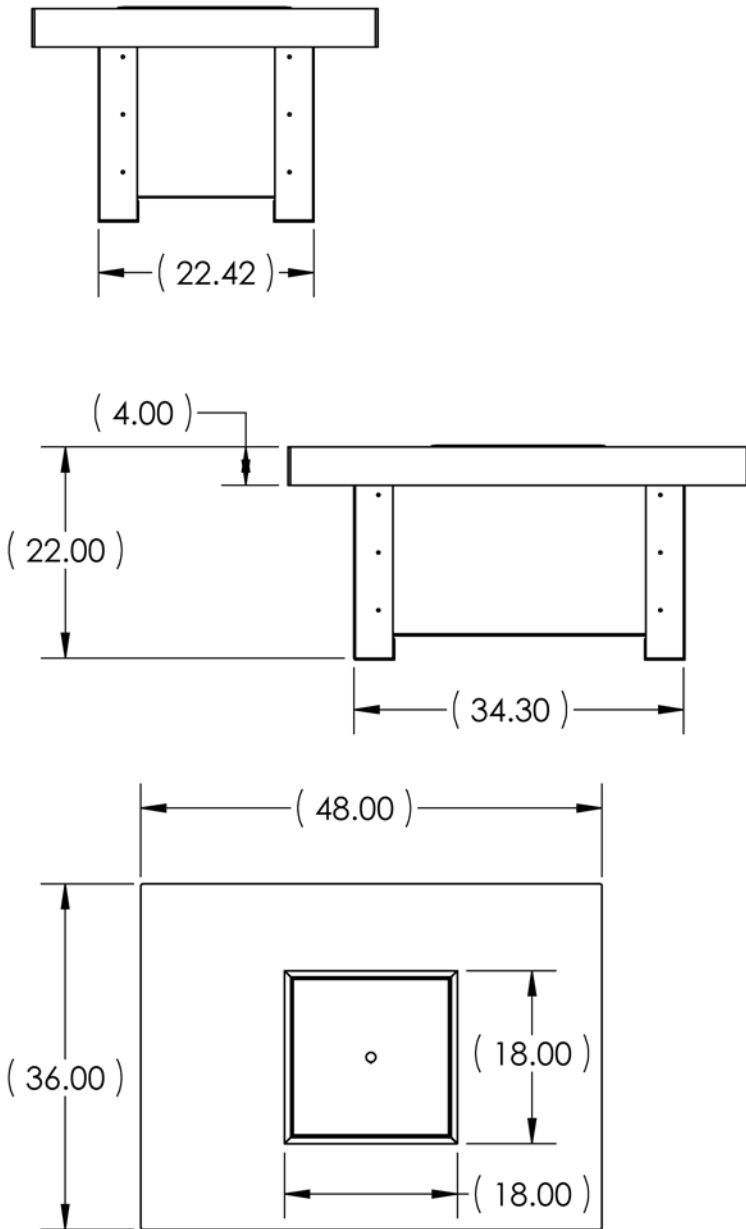


BALBOA TABLE

This table has bold lines that bring people together around a sleek 60,000 BTU fire feature that can be fueled by several options the most common are natural gas or a propane tank that is stored underneath. The stone top is fabricated from solid 3 cm stone which features a 4 inch edge detail. This table is available in custom sizes to fit any project. Standard tables ship in 1 to 4 weeks, custom 4 to 8



■ Top material

- Tier 1 stone
- Tier 2 stone
- Tier 3 stone
- Elite Stone

■ Base

- Brushed Stainless steel base
- Powder coat base (many colors)
- Copper plate base

■ Glass color

- One solid color or 3 color mix

■ Fuel

- Propane or Natural gas

■ Forced air heat: yes or no

- Note: requires a 120v 15amp switched power

■ Electronic Ignition: yes or no

- Note: requires a 120v switched power

■ Size

- Dimensions: L48 x W36 x H20 or
L48 x W48 x H20
- Custom sizes available